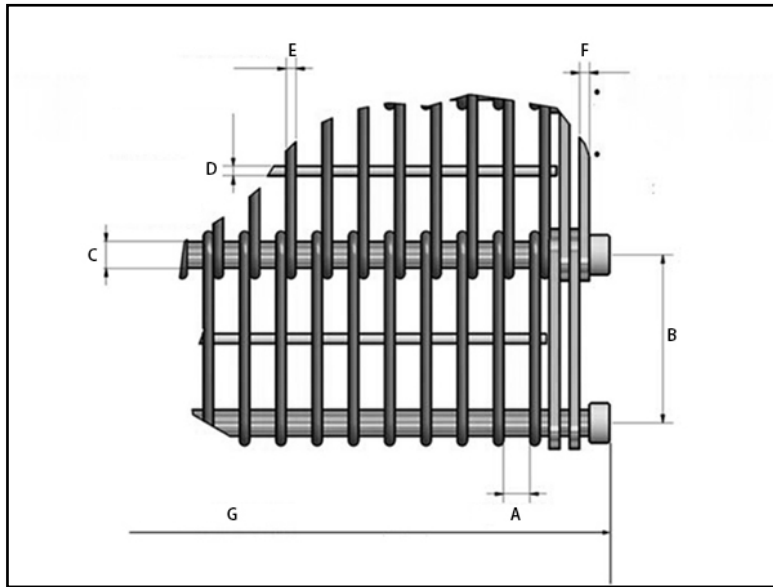


Specialize In Wire Conveyor Belt Manufacturing And Solution.

## Flat Flex Conveyor Belt Enquiry Form

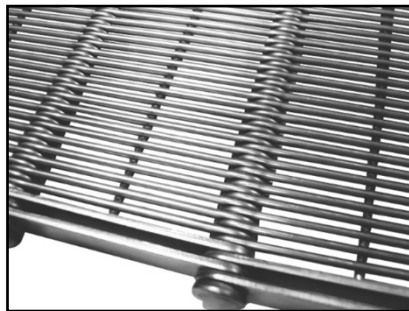
Please supply the following technical parameter information of your belt in order to obtain further quotation, if cannot confirm, please contact us by email in time.



### Belt Types:



Full eye links



Pressed eye links



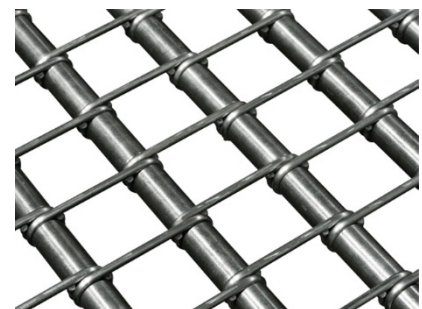
Welded eye links



Pressed and welded eye links



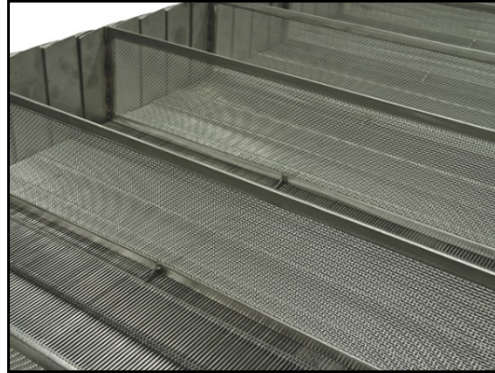
Eye links with springs



Eye links with bushings or washers

## Specialize In Wire Conveyor Belt Manufacturing And Solution.

Additional options:



Cross Flights/Side Guards/Cross Flights & Side Guards

Basic information			
Material	Overall Width (mm)		Length (m)
Detailed information			
A: Gap Width (mm)		F: Reinforcing Plate (mm)	
B: Pitch (mm)		G: Overall Belt Width (mm)	
C: Cross Rod Dia. (mm)		Belt Types	
D: Underside Welded Wire Dia. (mm)		Additional options	
E: Wire Link Dia. (mm)		Layout of reinforcing plates	
<b>Please fill in your more demand information here:</b>			

**Note:**

1. If you are unsure of the specification identification please contact the sales department to discuss or send a short length sample
2. Belt Types: a) Full eye links, b) Pressed eye links, c) Welded eye links, d) Pressed and welded eye links, e) Eye links with springs, f) Eye links with bushings or washers
3. Additional options: a) Cross Flights only, b) Side Guards only, c) Cross Flights & Side Guards
4. Layout of reinforcing plates: Example: 2 + 2 = double rows only at the edges; 3 + 3 + 3 = triple rows at edges plus an additional triple row in the middle